

# User Manual

## 0478 Power Box



### ENGLISH

#### Power Box for LogiCO2 Safety System.

#### Important!

Retain this instruction manual for future reference: Please read these instructions carefully prior to start-up and use. Failure to follow any of these instructions could void product warranties. LogiCO2 assumes no responsibility for claims arising out of improper or careless use or handling of its products.

#### Technical specifications

<b>External power supply:</b>	24V DC
<b>Wiring connections:</b>	RJ 45
<b>Power wiring connections:</b>	0,05-2,5 mm <sup>2</sup> / 30 - 14 AWG

<b>Ingress protection:</b>	IP55
<b>Dimensions (LxWxD):</b>	110 x 150 x 75 mm / 4,33" x 5,90" x 2,95"

#### Function

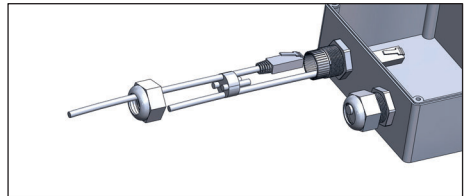
Power box is a junction box for the LogiCO2 Safety Systems.

With the Power box, you can have one power supply for a large system. Both the power and communication are distributed via the Power box.

The Power box has two cable glands with multi inputs. One for up to four Cat5 cables and one for up to two power cables. These are also provided with plugs, in case of fewer cables. Two plugs for Cat5 and one for power cable.

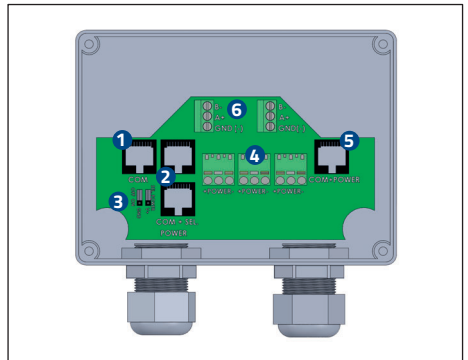
The Cat5 cables that are used in the LogiCO2 Safety System are not intended for power over 1.5 Amp and this can easily be exceeded in a large system. The Power box enables to distribute power to the system via two separate "Power-Cables", up to 8mm outside diameter.

Fig. 1



On the printed circuit board, there are three parallel power terminals, four RJ45 connectors and two jumpers.

Fig. 2

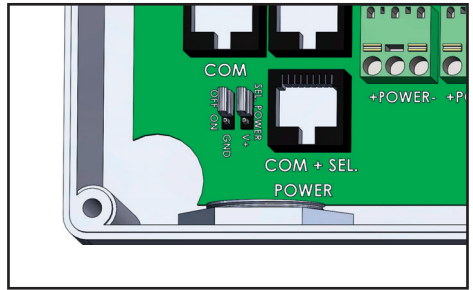


1. RJ45 - Only communication.
2. RJ45 x 2 - Selectable, only communication or both power and communication.
3. Jumpers - Settings of the two selectable RJ45 (2).
4. Terminals x 3 - Power.
5. RJ45 - Always both power and communication.
6. Terminals x 2 - Only communication.

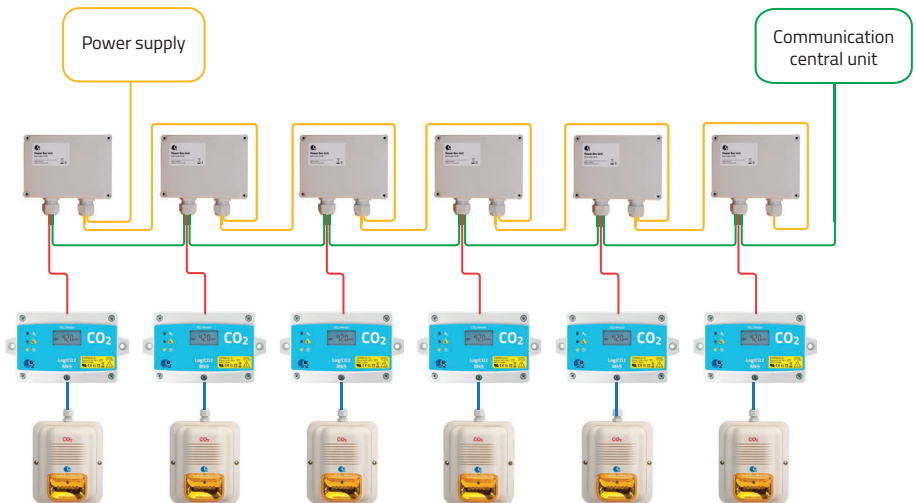
## RJ45 Connectors

- One of the RJ45 connectors (marked COM) has only communication (from and to the Sensors)
- One has both power and communication (marked COM+POWER)
- Two have selectable functions, only communication or both power and communication (marked COM + SEL. POWER). Setting is done with the jumpers. Example setting: only communication, default setting. See fig. 3.

Fig. 3



## System example



\*Green cable: Only communication.

\*Red cable: Power and communication.

\*Yellow cable: Power and communication.



### Manufactured by:

LogiCO2 International AB  
P.B. 9097  
400 92 Gothenburg, Sweden

E-mail: [info@logico2.com](mailto:info@logico2.com)

Web: [www.logico2.com](http://www.logico2.com)