

RCB with relay delay, reset button and mute on/off Add-on KIT (0472) for LogiCO2 Safety Systems



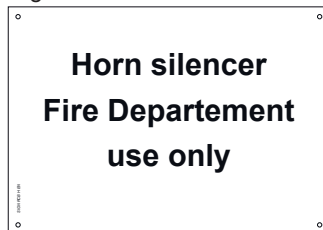
TECHNICAL DATA

Power supply:	Via sensor
Relays:	1A/24V AC/DC
Material:	PC/ABS
Dimensions (WxHxD):	78x78x37 mm
Ingress protection:	IP55

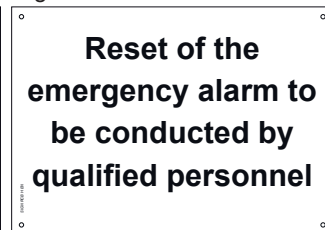
The remote connection box is delivered with two 1 meter cables, one RJ45 1-4 splitter and one sign.



Sign front side



Sign back side



FUNCTION

The RCB 0472 is a remote connection box, an accessory for the LogiCO2 alarm systems, that makes it possible to transmit alarm indications to external devices, for example a Horn/ Strobe.

It consists of an electronics box and cabling.

The RCB 0472 has two dedicated potential free (dry) turn over relays, one for pre-alarm and one for high-alarm. It is also possible to activate both relays at pre-alarm or high-alarm via the DIP-switch settings.

The RCB 0472 has two 1 meter CAT 5 cables, with a blue RJ45 connector. One cable is connected to the alarm output cable (also with a blue RJ45 connector) from the sensors. The other cable is connected to the horn/strobe alarm device. When the sensor indicates a pre-alarm or a high-alarm, the dedicated alarm device will be activated.

Install the connection box in a suitable place where it is mechanically protected. Remove the cover to access the mounting screw hole. The cover is a "twist-open" lid that opens by turning counterclockwise 1/8 turn.

Selectable functions:

- Direct activation of the relays.
- Relay delay time 9.5 seconds, to avoid unintentional alarm call to the fire brigade when testing the alarm system.
- Selectable relay delay time 9.5 seconds, then latch. Manual reset is required. Possibility to mute the Horn/Strobe during high-alarm.
- Direct activation of the relays and if the alarm signal from the sensor remains after 9.5 seconds the latch function is activated. Manual reset is required. Possibility to mute the Horn/Strobe during high-alarm.
- Selection of which relay to be activated at pre-alarm and high-alarm. It is also possible to activate both relays at pre-alarm or high-alarm.
- Separate selection for the two relays.
 - Normally activated in ON mode, no alarm mode: This means that the relay deactivates in alarm and power OFF mode.
 - Not activated in ON mode, no alarm mode: This means that the relay only activates when there is an alarm.

ORDERING EXAMPLE

Item code	Description
0472	RCB with delay, reset button & mute on/off, 2x1 m cable



RCB with relay delay, reset button and mute on/off (0472) for LogiCO2 Safety Systems



DIP-SWITCH SETTINGS

DIP1-5 Relay 1 (terminals 7-9)

Function selection*	DIP 1	DIP 2
Function 1	OFF	OFF
Function 2	ON	OFF
Function 3	OFF	ON
Function 4	ON	ON

Mute function	DIP 3
Mute off	OFF
Mute on	ON

Relay activation	DIP 4
Pre-alarm	OFF
High Alarm	ON

Relay function	DIP 5
Normally inactivated	OFF
Normally activated	ON

DIP6-10 Relay 2 (terminals 10-12)

Function selection*	DIP 6	DIP 7
Function 1	OFF	OFF
Function 2	ON	OFF
Function 3	OFF	ON
Function 4	ON	ON

Mute function	DIP 8
Mute off	OFF
Mute on	ON

Relay activation	DIP 9
Pre-alarm	OFF
High Alarm	ON

Relay function	DIP 10
Normally inactivated	OFF
Normally activated	ON

* Function selection:

1. Direct activation of the relays.
2. Delayed activation 9.5 seconds.
3. Delayed activation 9.5 seconds, then latch. Manual reset is required. Possibility to choose mute function for the Horn/ Strobe during high alarm.
4. Direct activation of the relays and if an alarm signal from the sensor remains after 9.5 seconds the latch function is activated. Manual reset is required. Possibility to choose mute function for the Horn/Strobe during high-alarm.

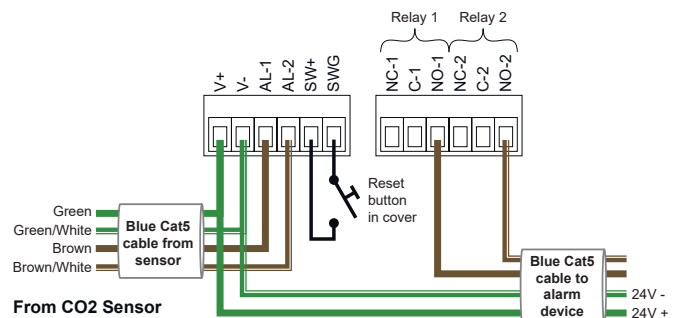
WIRING DIAGRAM

Installation examplel:

Alarm latch.

Connection to alarm devices - without delay.

If an alarm signal from the sensor remains for 9.5 sec, the latch is activated. Manual reset is required.



Example DIP-Switch settings:

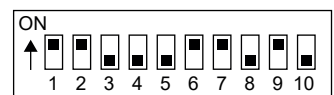
Default settings: Horn and strobe are only activated at high-alarm. Mute function is disabled.



Horn and strobe are only activated at high-alarm. Horn is possible to mute during high-alarm.



Strobe is activated at pre-alarm. Horn is activated at high-alarm. Mute function is disabled.



Default jumper settings:

These default jumper settings are used for all example DIP-Switch settings above.



V- C V+

Optional jumper settings:

It is possible to connect V- to common (C) on the relays by placing the jumper on the position V-/C.



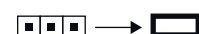
V- C

To connect V+ to comon (C), place the jumper on C/V+.



C V+

To make the relay contact potential free (dry), remove the jumper.



V- C V+