

Power Box (0478) for LogiCO2 Safety Systems.



TECHNICAL DATA

External power supply:	24V DC
Wiring connections:	RJ 45
Power wiring connections:	0.05-2.5 mm ² / 30 - 14 AWG
Dimensions (LxWxD):	110 x 150 x 75mm / 4,33"x 5,90" x 2,95"
Ingress protection:	IP55

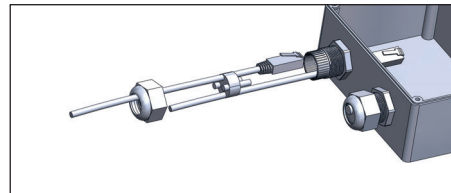
FUNCTION

Power box is a junction box for the LogiCO2 Safety Systems. With the Power box, you can have one power supply for a large system. Both the power and communication are distributed via the Power box.

The Power box has two cable glands with multi inputs. One for up to four Cat5 cables and one for up to two power cables. These are also provided with plugs, in case of fewer cables. Two plugs for Cat5 and one for power cable.

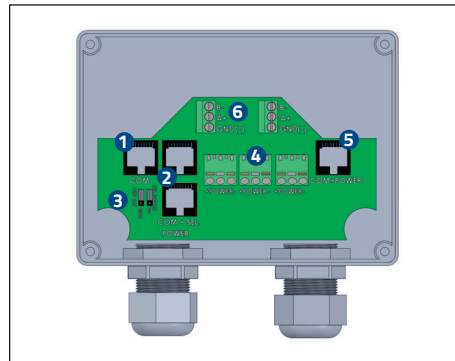
The Cat5 cables that are used in the LogiCO2 Safety System are not intended for power over 1.5 Amp and this can easily be exceeded in a large system. The Power box enables to distribute power to the system via two separate "Power-Cables", up to 8 mm outside diameter.

Fig. 1



On the printed circuit board, there are three parallel power terminals, four RJ45 connectors and two jumpers.

Fig. 2



1. RJ45 - Only communication.
2. RJ45 x 2 - Selectable, only communication or both power and communication.
3. Jumpers - Settings of the two selectable RJ45 (2).
4. Terminals x 3 - Power.
5. RJ45 - Always both power and communication.
6. Terminals x 2 - Only communication.

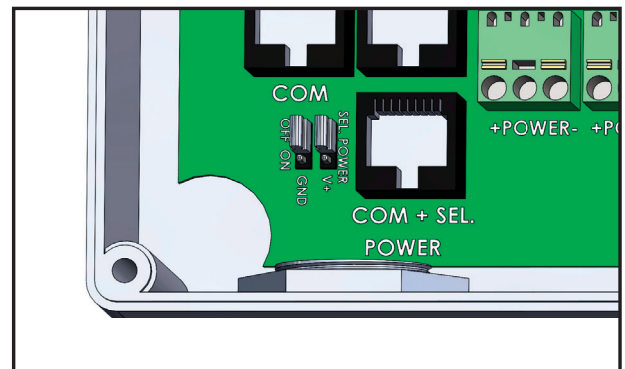
ORDERING EXAMPLE

Item code	Description
0478	Power Box for LogiCO2 Safety System

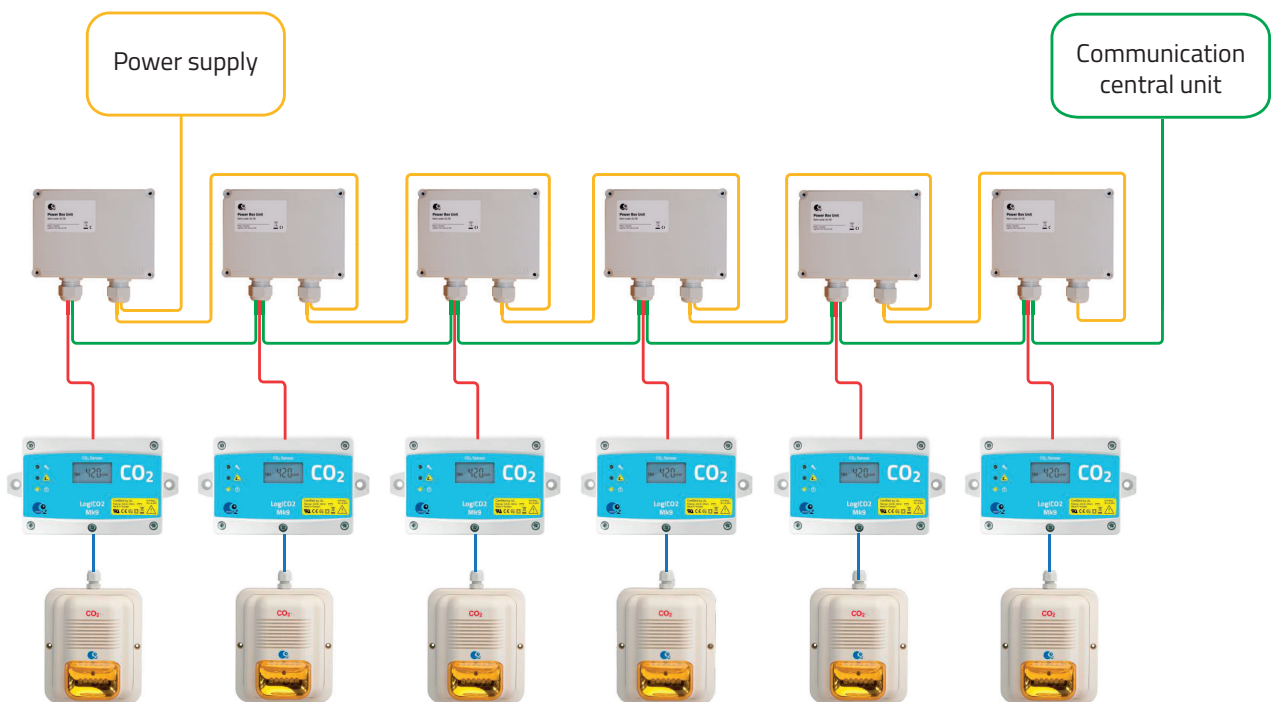
RJ45 CONNECTORS

- One of the RJ45 connectors (marked COM) has only communication (from and to the Sensors)
- One has both power and communication (marked COM+POWER)
- Two have selectable functions, only communication or both power and communication (marked COM + SEL. POWER). Setting is done with the jumpers. Example setting: only communication, default setting. See fig. 3.

Fig. 3



SYSTEM EXAMPLE



*Green cable: Only Communication (Communication central unit).

*Red cable: Power and Communication.

*Yellow cable: Only Power (Power supply).