

MULTI FUNCTION SIREN 1992-LP

Codeable, 32-different tones.

To be used with fire & burglar alarms, gas detection and fire extinguishing systems.



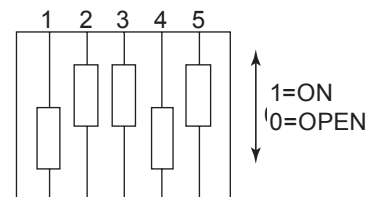
GENERAL INFORMATION

Siren 1992 is an allround siren that can be used for many various purposes. Thereby stock-keeping can be minimized. The siren is small in size and easy to install. It can be used in-door as well as out-door.

CHANGING OF CODE

This example is showing code No 19.

Fixed tone, 660 Hz.
Swedish Fire
Alarm Signal



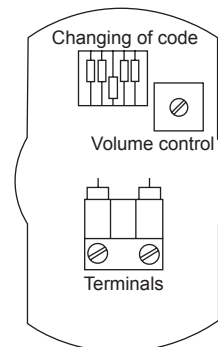
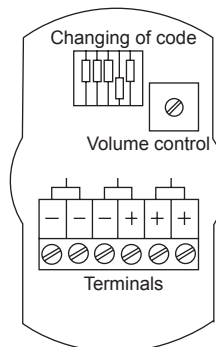
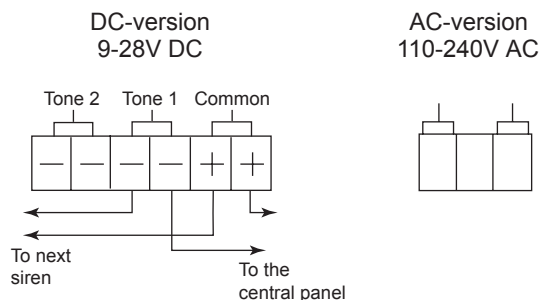
TECHNICAL DATA

Operating voltage:	9-28V for DC-version 110-240V for AC-version
Starting current:	30mA for 2 milliseconds
Starting time:	1,5 milliseconds
Frequency tolerance:	±0,15%
Volume control:	Standard
Surrounding temp.:	-25°C to +80°C
Protection:	IP 65, (including the extra deep base).
Colour:	red or white
Weight:	approx. 300 g
Material in housing and base:	ABS
Option:	Tamper switch can be included
Polarisation:	The siren does not work if the positive and negative potentials are changed.

ACCESSORIES

SOCK-H-(colour)-2KI: Deep base =IP65

WIRING DIAGRAM



Note: When changing code, the voltage shall be disconnected.

Type	Voltage		Sound dB-±2% at 1,0 m	Current in operation		Frequency range Hz
	VDC	VAC		12V	24V	
1992	9-28	110-240	80-116	3-14 mA	7-29 mA	400-2850
Depending on choosed tone						