

BEACON MODEL IB

for combination with alarm sirens



DESCRIPTION

The IB beacon is an electronic beacon having low current consumption and high energy. It is designed to solve the problems of high current pulse.

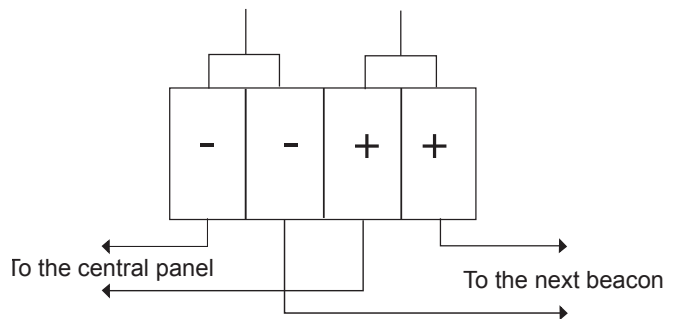
All versions have SCS (Surge Current Suppression) to eliminate the need of too big power supplies.

The 5 W version also includes ACM (Active Current Management) where the current consumption reduces as the supply voltage increases.

It has small dimensions and is easy to install. The beacon can be used both indoor and outdoor.

Note! The beacon can be combined with siren, model 1992, the two models having the same base.

WIRING DIAGRAM

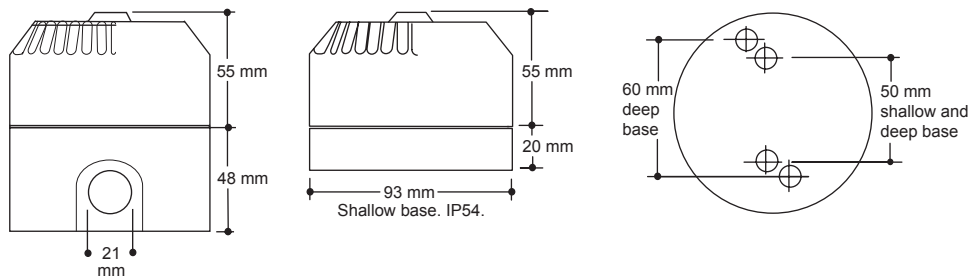


TECHNICAL DATA

Voltage models:	12V DC/ 24V DC/ 230V AC
Operating voltage range:	10-15/ 20-30/ 230V
Average current consumption:	12-290 mA
Operating temperature range:	-20°C to 55°C
Power rating:	0,72 to 3,7W
Flash energy:	0,4 to 2,0 Joule
Flash frequency:	60/min
Lens colours:	red, amber, green, blue, clear
Material:	Polycarbonate
Weight:	280g shallow base, 310g deep base
Note:	The plus and minus polarity cannot be changed
Housing:	IP 54

DIMENSIONS

IP65, with special deep base.



IB - High efficiency beacon

	24 V 1 W	24 V 2 W	12 V 1 W	12 V 2 W	Multivolt 5 W	XB
Operating Voltage Range	20-30 VDC		10-15 VDC		10 - 30 VDC	230 VAC
Average Current Consumption	45 mA	90 mA	90 mA	180 mA	300 - 560 mA/12 VDC 140 - 260 mA/24VDC	12 mA
Power Rating	1,1 W	2,1 W	1,1 W	2,1 W	5,0 W/60 flashes/min	2,9 W
Flash Rate	60/min				*	60/min
Flash Energy	0,65 J	1,35 J	0,65 J	1,35 J	3,6 J/45/min 3,6 J/60/min 2,0 J/85/min 2,0 J/120/min	2,0 J

*Multivolt 5 W is adjustable for 45, 60, 85 and 120 flasches/min.

