



**PROPERTIES**

- High long-term stability
- Temperature compensated
- 3 measurement ranges: 0-140/700/1500 kg

**FUNCTION**

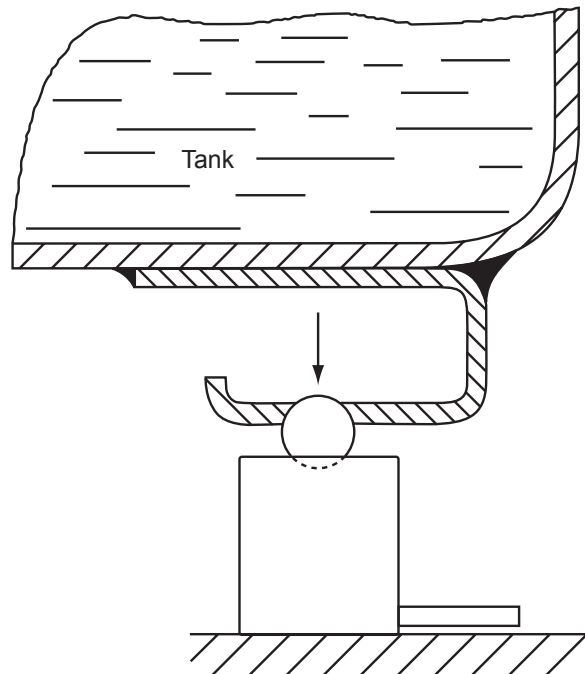
LogiWS is a weight sensor designed to work in tough environments. LogiWS can be connected to SafeCO<sub>2</sub> which enables readout on display and communication via GSM/GSM-Data/SMS/GPRS. The readout is in percentage of the measurement range via 4-20 mA current signal.

**APPLICATION**

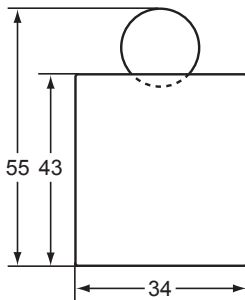
Any weight measurement within the ranges. Designed to measure the content in gas and beverage tanks.

**TECHNICAL DATA**

<b>Operating voltage:</b>	8-28 V DC
<b>Out signal:</b>	4-20 mA
<b>Measuring range:</b>	0-140 / 0-700 / 0-1500 kg
<b>Max. load:</b>	2 x measuring range
<b>Accuracy &amp; temperature dependence (Total Error Band):</b>	
- TEB room temperature	<1 %
- TEB 0 to +50°C	<2 %
- TEB -20 to +50°C	<3 %
<b>Material:</b>	
- Sensor	Stainless steel AISI316L
- Cabel	PVC
<b>Cabel length:</b>	2 m
<b>Dimensions:</b>	
- Diameter	34 mm
- Total height	55 mm
- Total height without stainless steel bowl	43 mm
<b>Weight:</b>	300 g
<b>Connection, 2-wires:</b>	
- Brown	+ Vcc
- White	- GND
<b>Ingress protection:</b>	IP65



**DIMENSIONS (mm)**



**MAINTENANCE**

LogiWS is maintenance free.

**ORDER EXAMPLE**

Item No.	Weight
LogiWS-10	0-140 kg
LogiWS-20	0-700 kg
LogiWS-30	0-1500 kg